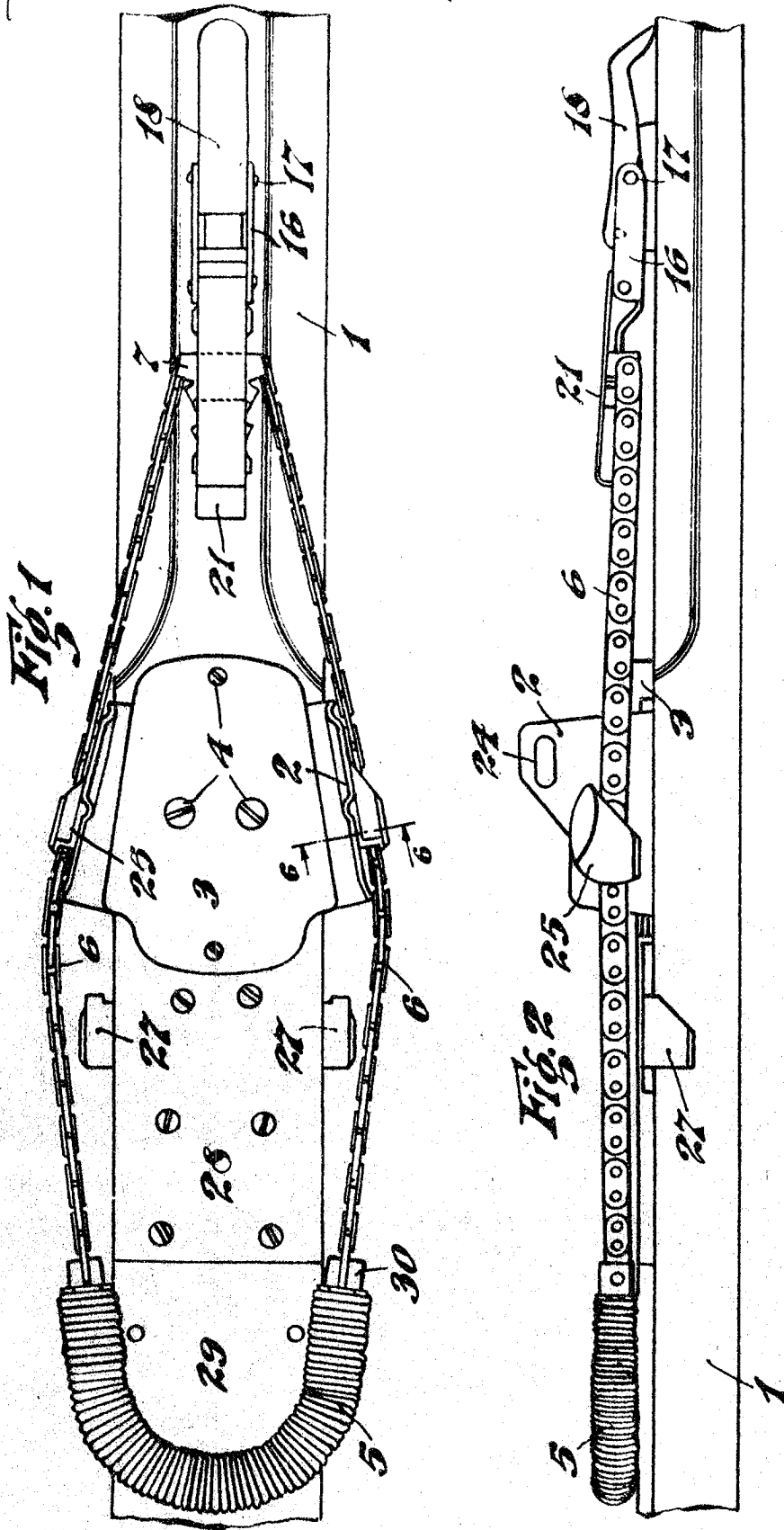


Ski Binding

374761
(2) 1.

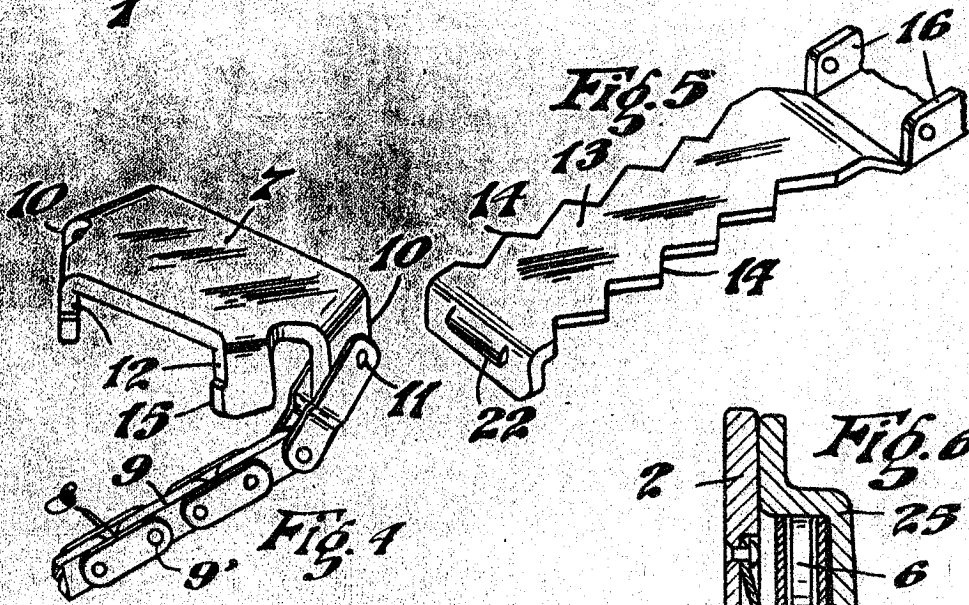
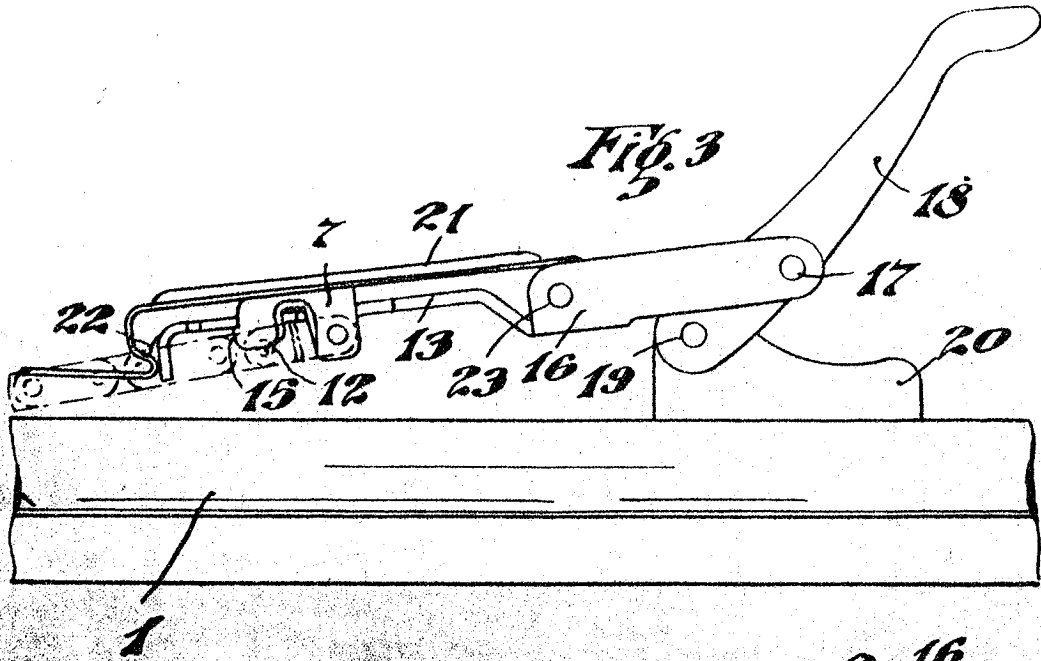


CERTIFIED TO BE THE DRAWINGS
REFERRED TO IN THE SPECIFICATION
HEREUNTO ANNEXED.

OTTAWA Nov. 24. 1936 BY *E. Leconte* ATTORNEYS
Mark & Clerk

11X

374761
(2)2



CERTIFIED TO BE THE DRAWINGS
REFERRED TO IN THE SPECIFICATION
HEREUNTO ANNEXED.

OTTAWA

Nov. 24, 1936

BY

L. Lecoultee
Marks & Clerk

ATTORNEYS